

产品型号：SS-10 (2D SCAN)



SS-10二维扫描振镜采用国际先进的偏转电机结构和先进的电机控制理论,具有响应速度快、精度高、温度漂移小、稳定性高等优点,属于10mm入射光斑二维扫描中的高性能产品.

SS-10 2D SCANNER is adopted international advanced deflexion structure and advanced theory of motor control, which has many advantages like fast respond speed, high precision, low temperature drift and high stability, etc. and it is a high-performance product in 10mm aperture of 2D scanners.

本产品生产过程都经过专业的性能检测和严格的老化实验,保证了产品性能的一致性和长期工作的稳定性.而且每个产品都配有唯一的出货检测报告.

SS-10 2D SCANNER is processing under professional performance test and strict burn-in test, make sure consistency and stability of long-working of product performance and will be offered unique test report with shipment.

## 应用领域

- 激光雕刻
- 微加工
- 飞行标记行业
- 3D打印

## Typical Applications

- Laser marking
- Micromaching
- Processing on-the-fly
- 3D Printing

## 技术参数 (Specifications)

## SS-10

入射光斑 (Aperture)	10mm
跟随误差时间 (Tracking error)	160μs
打标速度 (Marking speed)	2.5 m/s
定位速度 (Positioning speed)	10.0 m/s
重复定位精度 (Repeatability)	<20μrad
运行8小时以上漂移 (8hours drift)	<0.4 mrad
非线性 (Nonlinearity)	<5mrad
光学扫描角度 (Scan angle)	±0.35μrad
供电需求 (Power requirements)	±15V DC 3A
接口 (Interface)	数字 (Digital) XY2-100 模拟 (Analog) ±5V
工作温度 (Operating temperature)	25°C ± 10°C

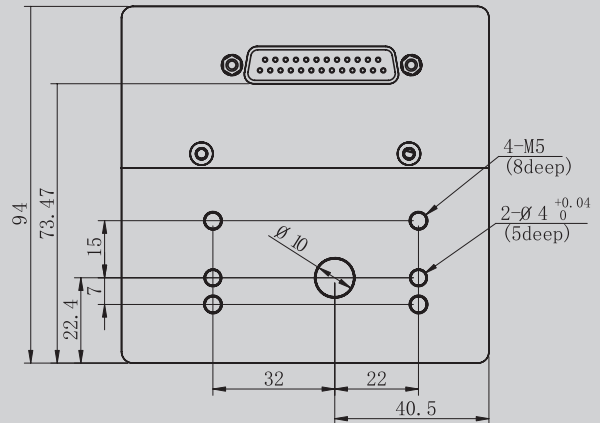
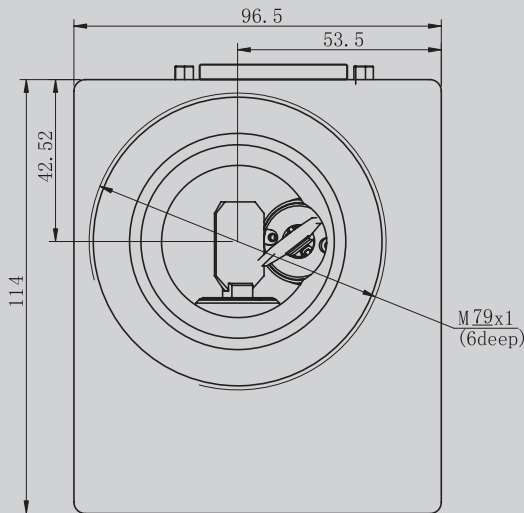
(All angles are in optical degrees) \*F-theta f=160mm\*

## 规格型号

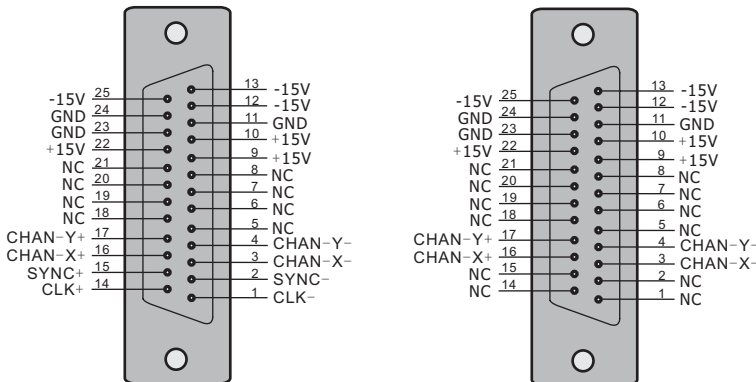
## 描述

10600nm		
SS-10-10600-DA	反射波长10600nm	数字digital
SS-10-10600-A	反射波长10600nm	模拟analog
1064nm		
SS-10-1064-DA	反射波长1064nm	数字digital
SS-10-1064-A	反射波长1064nm	模拟analog
532nm		
SS-10-532-DA	反射波长532nm	数字digital
SS-10-532-A	反射波长532nm	模拟analog
355nm		
SS-10-355-DA	反射波长355nm	数字digital
SS-10-355-A	反射波长355nm	模拟analog

## 机械尺寸 (单位mm) (Dimensions)



## 接口定义 (Interface)



25-pin female D-SUB connector (DIGITAL)

25-pin female D-SUB connector (ANALOG)

## 深圳市赛浦森科技有限公司

通讯地址: 深圳市宝安区31区公园路3011号金利华商务大厦311  
 联系方式: 0755-23287660 传真: 0755-23287660  
 Web: www.sp-scan.com E-mail: 1194715807@qq.com

Shenzhen SuperScan Technology Co., Ltd.

Address: Room 311, Jin Li Hua Bussiness Building, NO. 3011, Park Road, 31 District, Bao'An District, Shenzhen, China

Telephone: 0755-23287660

Fax: 0755-23287660

Website: [www.sp-scan.com](http://www.sp-scan.com) E-mail: 1194715807@qq.com